

Voltage Controlled Crystal Oscillators (VCXO's)

VC-480



Description:

Precision 14 x 9 mm VCXO with packaged crystal.
Standard footprint.

Features:

- Small SMD standard VCXO
- 2.0MHz to 51.84 MHz
- -20°C to +70°C / -40°C to +85°C
- 5V and 3.3V supply
- HCMOS / LVHCMOS output

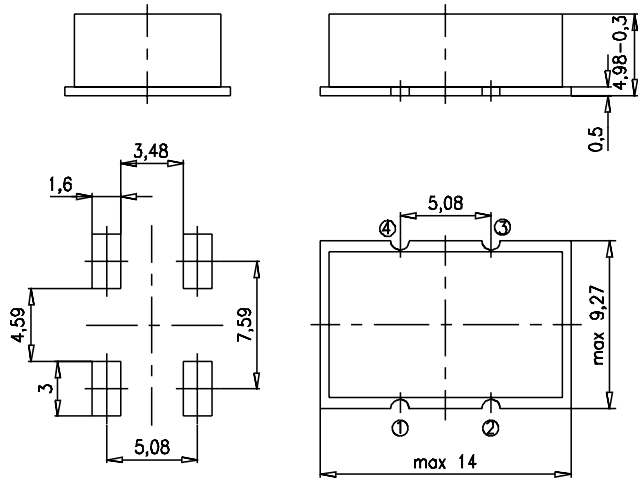
Performance Characteristics

Parameter	Symbol	Minimum	Typical	Maximum	Units
Frequency:	f_o	2.0		51.84	MHz
Supply Voltage option D :	V_{CC}	3.135	3.3	3.465	V
option C :	V_{CC}	4.75	5.0	5.25	V
Current:	I_{CC}			40.0	mA
Output:		HCMOS / LVHCMOS			
Rise/Fall Time tr/TF:	t_r / t_f			5.0	ns
Symmetry (Duty/Cycle):	SYM	40		60	%
Temperature Range:	T_{OP}	-20/70, -40/85			°C
Temp. stab. D - 155 -20 to +70°C:	F_{TEMP}	-15.0		+15.0	ppm
F - 205 -40 to +85°C:	F_{TEMP}	-20.0		+20.0	ppm
Accuracy @ +25C after reflow:	F_{CAL}	-10.0		+10.0	ppm
Aging first year:	F_{FIRST}	-3.0		+3.0	ppm
Aging per year thereafter:	F_{AGING}	-1.0		+1.0	ppm
Freq. vs. supply for 5% changes.:	F_{SUP}	-5.0		+5.0	ppm
Freq. vs. load for 20% change:	F_{LOAD}	-2.0		+2.0	ppm
Deviation:	F_{PULL}	-100		+100	ppm
Control Voltage opt. D : (3.3V sup.)	V_C	0.0		3.0	V
opt. C : (5.0V sup.)	V_C	0.5		4.5	V
Transfer Function:		positive			
Linearity:	Lin			10	%
Storage Temperature:	TS	-40		+105	°C
Package Size:		14.0x9.27x4.98 mm			

Voltage Controlled Crystal Oscillators (VCXO's)

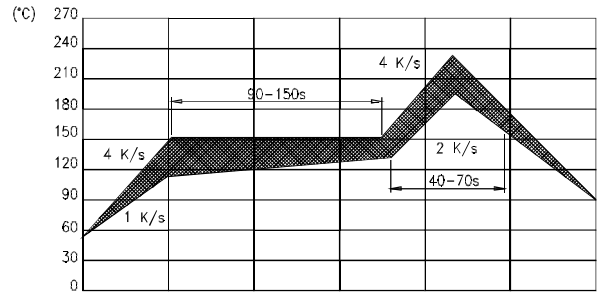
VC-480

Outline Drawing/Pad Layout



Dimensions in millimeters

Reflow Profile

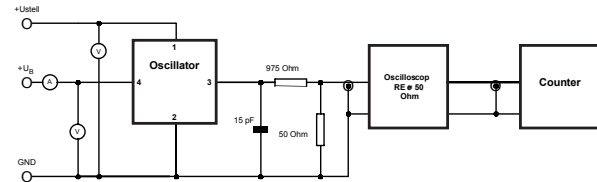


VCXO

Pin Out Information

Pin	Function
1	Control Voltage
2	Ground, Case
3	RF output
4	Supply voltage

Test Circuit



Ordering Information

